

**SONY**

Hi-Fi Products  
**Service Bulletin**

Sony Service Company Technical Services  
A Division of Sony Corporation of America  
Sony Drive, Park Ridge, New Jersey 07656

**Model:** CDP-C100

**No. 117**

**Subject:** Part Number Inversion in the  
Service Manual

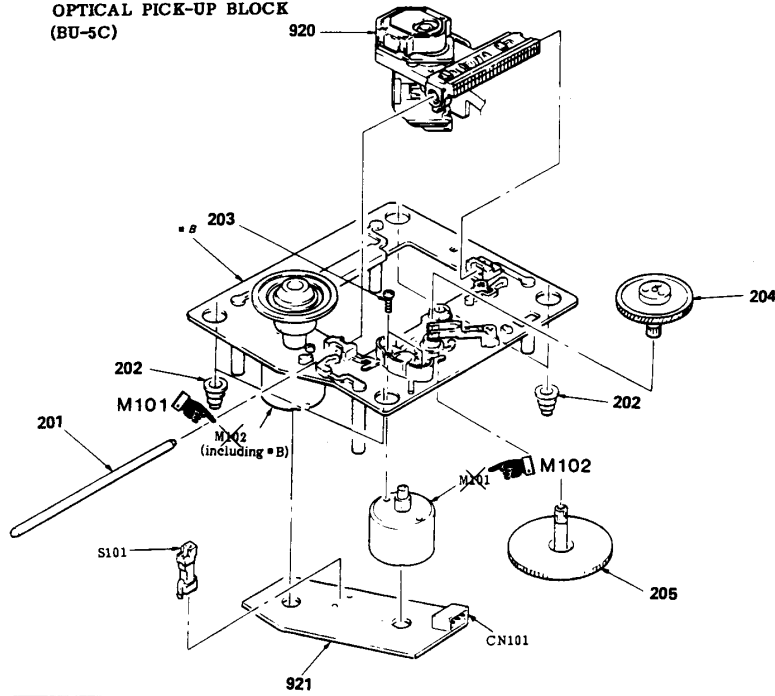
**Date:** April 10, 1990

**Symptom:**  
(\*\*\*)

The part numbers of the spindle and sled motor assemblies have been swapped in the drawing on page 27 of the service manual. The parts list is correct.

**Solution:** Please correct your service manual as shown below:

**OPTICAL PICK-UP BLOCK  
(BU-5C)**



Reference: DA-00490

PRINTED IN U.S.A.  
CSA-13390-5

Compact Disc  
**CSA-13**